

PLC Splitter with Fan-out connectors

Description

Broadex Technologies' Planar Lightwave Circuit (PLC) splitter is a passive optical power management device that uses silica waveguide structures to evenly split an optical signal from 1 or 2 input channels and distribute the split signal to N multiple output channels, commonly described as 1xN or 2xN splitters. products are Telcordia GR-1221-CORE qualified, and RoHS compliant.

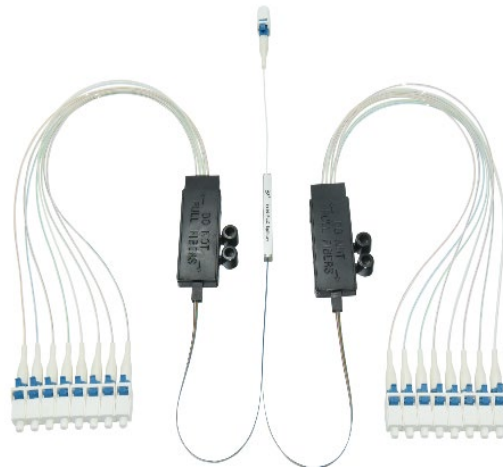
The Bare PLC Splitter package has a bare fiber input and fiber ribbon output which minimizes the space occupied by the device, making it ideally suited for integration into larger systems that can protect the fragile bare fiber while minimizing device volume.

Features

- Low insertion loss and PDL
- Excellent channel uniformity
- Compact size
- Wide operating wavelength and temperature range
- High reliability and high stability
- Telcordia GR-1221 and GR-1209 qualified

Applications

- Telecom, datacom
- Local Area Networks (LANs)
- Cable TV (CATV)
- Local Convergence points (LCP)
- FTTX
- Test Equipment



Specifications

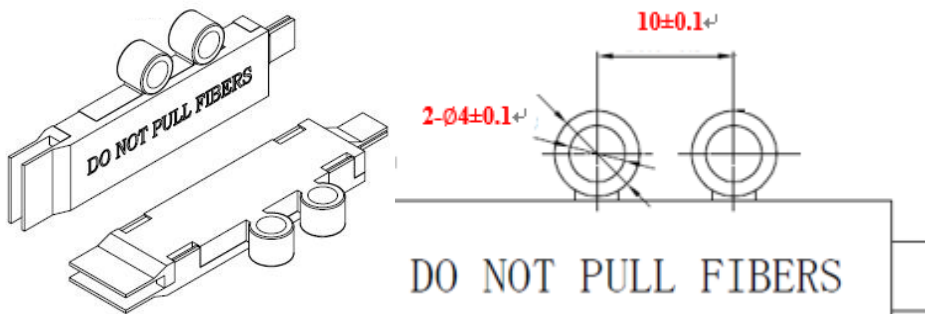
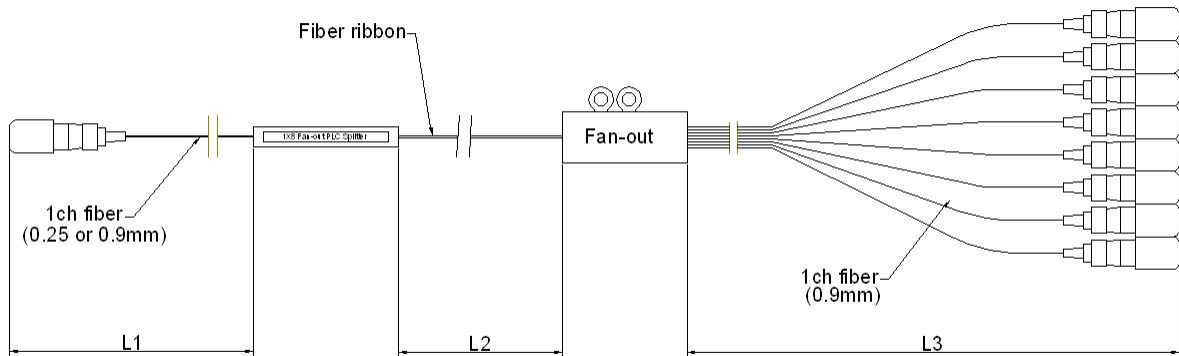
Parameters			1x2	1x4	1x8	1x16	1x32	1x64
Operating Wavelength (nm)			1260-1650					
Insertion Loss (dB)	Typical		4.0	7.3	10.5	13.8	16.8	20.5
	Max	P	4.3	7.5	11.0	14.0	17.0	21.0
		S	4.5	7.7	11.2	14.2	17.5	21.5
Loss Uniformity (dB)	Typical		0.4	0.4	0.5	0.6	0.8	1.2
	Max		0.6	0.6	0.8	1.2	1.5	2.5
Return Loss (dB)(P/S)			55/50	55/50	55/50	55/50	55/50	55/50
PDL (dB)	Typical		0.1	0.1	0.15	0.15	0.15	0.2
	Max		0.2	0.2	0.3	0.3	0.3	0.4
Directivity (dB)	Min		55	55	55	55	55	55
Operating Temperature (°C)			-40 to+85					
Storage Temperature (°C)			-40 to +85					
Packaging Size (LxWxH) (mm)			40x4x4			50x7x4	60x12x4	

Parameters			2x2	2x4	2x8	2x16	2x32	2x64
Operating Wavelength (nm)			1260-1650					
Insertion Loss (dB)	Max	P	4.4	8.0	11.7	14.7	17.9	21.5
		S	4.7	8.3	12.0	15.0	18.2	22.0
Loss Uniformity (dB)	Max		1.0	1.2	1.5	1.8	2.0	2.5
Return Loss (dB)(P/S)	Min		55/50	55/50	55/50	55/50	55/50	55/50
PDL (dB)	Max		0.2	0.2	0.4	0.4	0.4	0.4
Directivity (dB)	Min		55	55	55	55	55	55
Operating Temperature (°C)			-40 to+85					
Storage Temperature (°C)			-40 to +85					
Packaging Size (LxWxH) (mm)			40x4x4			50x7x4	70x12x4	

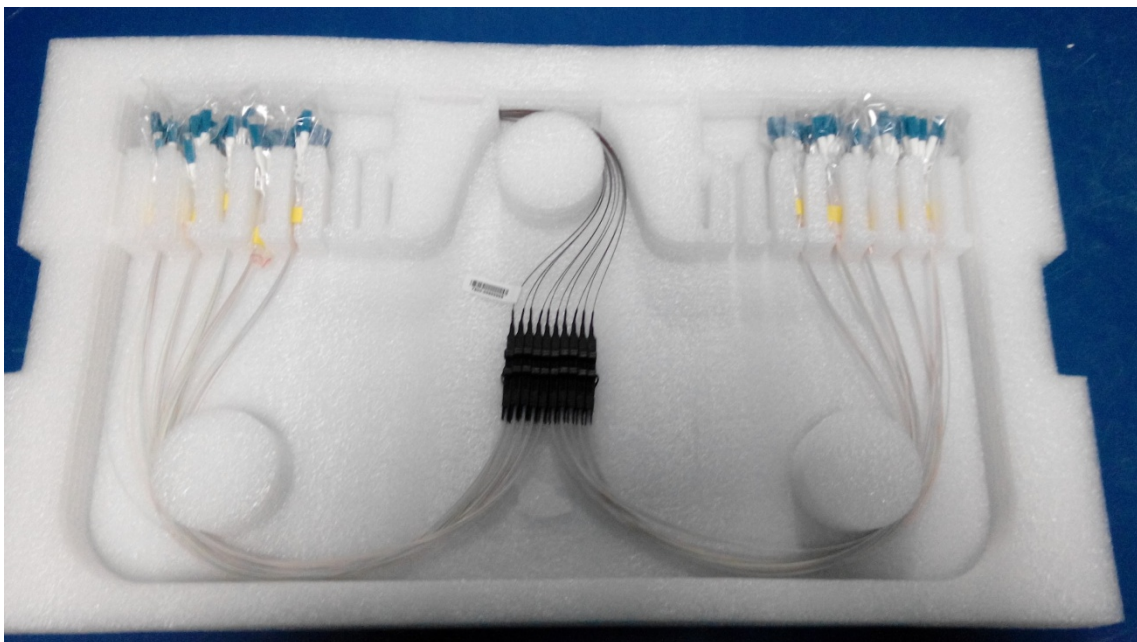
Notes: 1. All measurements were done at room temperature, and specifications include connectors.

2. S: standard, P: premium

Mechanical drawing:



Packaging:



Ordering Information

BPSF	-XXX	-X	-XX	-XX	-XX	-X	-X
B=Broadex	Input & Output Count	Input Tube Type	L1 Fiber Length	L2 Fiber ribbon Length	L3 Fiber Length	Input Connector Type	Output Connector Type
P=PLC	104=1x4	B=250μm Bare Fiber	12=1.2mm	12=1.2mm	12=1.2mm	0=None	0=None
S=Splitter	164=1x64	L=900μm Loose Tube	15=1.5mm	12=1.2mm	15=1.5mm	1=FC/UPC	1=FC/UPC
F=Fan out	204=2x4	T=900μm Tight Buffer	XX=Customized	15=1.5mm	XX=Customized	2=FC/APC	2=FC/APC
			XX=Customized		3=SC/UPC	3=SC/UPC
	164=1x64					4=SC/APC	4=SC/APC
	204=2x4					5=LC/UPC	5=LC/UPC
					6=LC/APC	6=LC/APC
	264=2x64					X=Customized	X=Customized

Contact Us


太平貿易株式会社
TAIHEI BOEKI CO., LTD.

光学機器課

〒103-0023 東京都中央区日本橋本町2-2-2

TEL 03-3270-4826 FAX 03-3245-1767

<http://www.taiheiboeki.co.jp>
tokyo@taiheiboeki.co.jp

Copyright © 2020 Broadex Technologies. All rights reserved