

## Hermetic Feedthrough Fiber Arrays

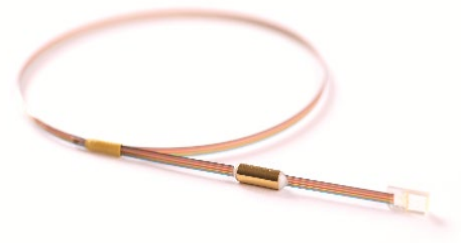
### Description

Broadex Technologies Fiber Arrays are assembled with high precision V-groove arrays and undergo a unique assembly and polish process to obtain an extremely accurate fiber core position with ultra fine surface finish.

Broadex provides a wide variety of fiber feedthroughs to match your hermetic sealing requirement. This method of enabling a hermetic seal is an easy and convenient alternative to fiber metallization, and the product comes with Broadex Technologies high quality fiber array for easy assembly into various types of optical modules that require true hermetic sealing.

### Features

- Single-mode, multimode or polarization maintaining fibers
- Single or multiple fiber designs up to 24 channels
- Ribbon fiber versions up to 24 channels available
- Alternative to fiber metallization methods
- Can be installed into packages with standard solders
- Available terminated with round or rectangular ferrules
- Designed to meet Telcordia requirements  
(GR 1221-core, GR 468-core)

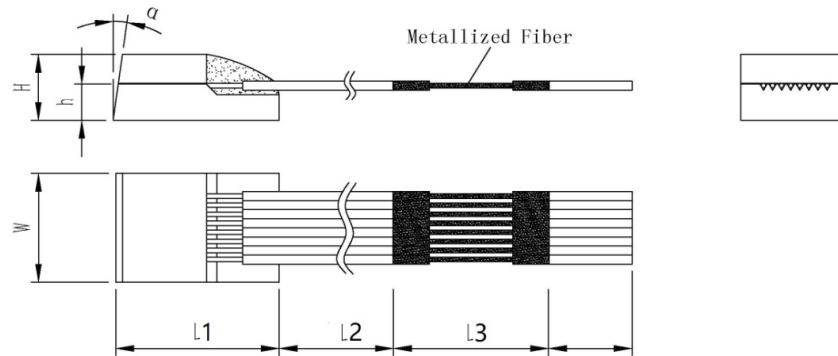


### Applications

- Laser diode packaging
- Waveguide packaging
- Integrated optics packaging
- Vacuum feedthrough assemblies

### Specifications

Parameter	Unit	Quartz, Pyrex or Silicon
Number of Channels		1,2,4,8,16,32,40,48,64
Core pitch / Max Offset	μm	250, 127 / 0.7
Fiber Length	m	1.5 ± 0.1 or customized
End Face Angle	α	0, 5, 8, 12 (± 0.3)
Center Wavelength Accuracy	pm	Relative to ITU all SOP
Polish Flatness	nm	5 fringes @ 633
Operating Temperature	°C	-40 to +85

**Mechanical Drawing**


Channel number	Core Pitch(μm)	L1(mm)	W(mm)	H(mm)	h(mm)	L2	L3
1		7.5	2.5	2.5	1.5	customized	customized
4	250	9.5	2.5	2.5	1.5	customized	customized
8	127	9.5	2.5	2.5	1.5	customized	customized
8	250	9.5	3.5	2.5	1.5	customized	customized
16	127	9.5	3.5	2.5	1.5	customized	customized
24	127	11.5	5.0	2.5	1.5	customized	customized
32	127	11.5	5.7	2.5	1.5	customized	customized
48	127	11.5	9.0	2.5	1.5	customized	customized
64	127	11.5	10.0	2.5	1.5	customized	customized

**Ordering Information**
**Single-Channel Fiber Arrays**

BFA	-XX	-X	-XX	-X	-X	-X
B=Broadex MFA=Metallized Fiber Array	Channel Count 01=1 Channel	Material Q=Quartz P=Pyrex S=Silicon	Fiber Length 12=1.2m 15=1.5m XX=Customized	Fiber Tube Type B=250μm Bare Fiber L=900μm Loose Tube T=900μm Tight Buffer	Fiber Color C=Clear W=White B=Blue X=Customized	Polishing Angle A=+5° B=-5° C=+8° D=-8° E=+12° F=-12° G=0° X=Customized

**Multi-Channel Fiber Arrays**

BFA	-XX	-X	-XX	-XX	-X	-X
B=Broadex	Channel Count	Material	Fiber Core Pitch	Ribbon Fiber Length	Fiber Color	Polishing Angle
F=Fiber	04=4 Channels	Q=Quartz	25=250μm	12=1.2m	C=Clear	A=+5° B=-5°
A=Array	08=8 Channels	P=Pyrex	12=127μm	15=1.5m	W=White	C=+8° D=-8°
	16=16 Channels	S=Silicon	XX=Customized	XX=Customized	B=Blue	E=+12° F=-12°
	32=32Channels				X=Customized	G=0°
	64=64 Channels					X=Customized
	.....					

**Contact Us**

**太平貿易株式会社**
**TAIHEI BOEKI CO., LTD.**

光学機器課

〒103-0023 東京都中央区日本橋本町2-2-2

TEL 03-3270-4826 FAX 03-3245-1767

<http://www.taiheiboeki.co.jp>
[tokyo@taiheiboeki.co.jp](mailto:tokyo@taiheiboeki.co.jp)

Copyright © 2020 Broadex Technologies. All rights reserved